

ITEM NO.	PART NUMBER	DESCRIPTION	QTY.
1	K1672KT-T	Top Leg Clamp Kit for T1671 & 72 Sectors	1
2	K1672KT-B	Bottom Leg Clamp Kit - T1671&72 Sectors	1
3	K1671KTPV-03	Standoff Weldment, Pipe Sector, HD	2
4	P1090KT12.5	Pipe 2-7/8od x 12.5 ft Sch 40 A500/B HDG	2
5	T1709KT11A	Pipe mount crossover plate kit (pair) for 2-7/8"- 2-7/8", contains 2 plates, 8 u-bolts and hardware	4
6	T1307KT1512	Universal Stiff arm hardware kit, 1-7/8"OD pipe	2
7	K1672KTV-HW	Hardware kit for KTPV sectors	1

NOTES:

Antenna Pipes should be centered and evenly spaced.

Fits Leg: Round 1-1/2" OD to 8-1/2" OD
 60 Degree Angle 2" to 8-1/2"
 90 Degree Angle 2" to 6"

Confirm with EOR when mounting on a leg less than 1-1/2" solid diameter or less than P2.5STD tower leg.

Position mount or adjust safety climb cable so not to hinder or damage or obstruct the safety climb. Safety cable routing bracket may be purchased separately.

All fasteners should be tightened to "snug tight" per AISC 6.5.2.

Weights:
 Without Antenna Pipes - 554.2 lbs
 With Antenna Pipes - 740.2 lbs



UNLESS OTHERWISE SPECIFIED:
 DIMENSIONS ARE IN INCHES
 TOLERANCES:
 FRACTIONAL: ± 1/32
 ANGULAR: ± 2°
 ONE PLACE DECIMAL: ± .06
 TWO PLACE DECIMAL: ± .03
 THREE PLACE DECIMAL: ± .010
 INTERPRET GEOMETRIC TOLERANCING PER:
 MATERIAL:
 FINISH:
 DO NOT SCALE DRAWING

NAME	DATE
KAR	9/16/21
CHECKED	
ENG APPR.	
MFG APPR.	

PROPRIETARY AND CONFIDENTIAL
 THE INFORMATION CONTAINED IN THIS DRAWING IS THE SOLE PROPERTY OF KENWOOD TELECOM. ANY REPRODUCTION IN PART OR AS A WHOLE WITHOUT THE WRITTEN PERMISSION OF KENWOOD TELECOM IS PROHIBITED.

		TITLE:	
		Sector Frame - 3' Standoff, 12'6" Face, All Pipe Version	
SIZE	DWG. NO.	REV	
SCALE: 1:18	T1671KTV12	A	
FINISHED WEIGHT: See Note		SHEET 1 OF 2	

8 7 6 5 4 3 2 1

D

C

B

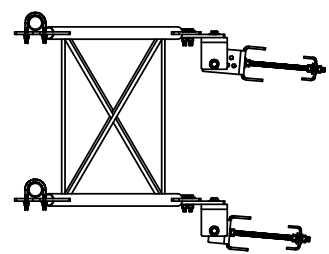
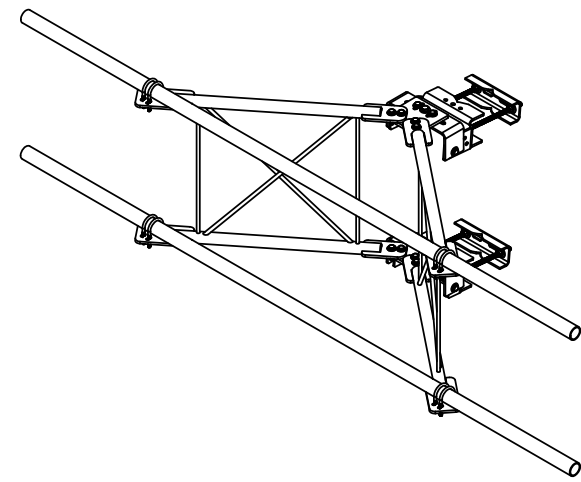
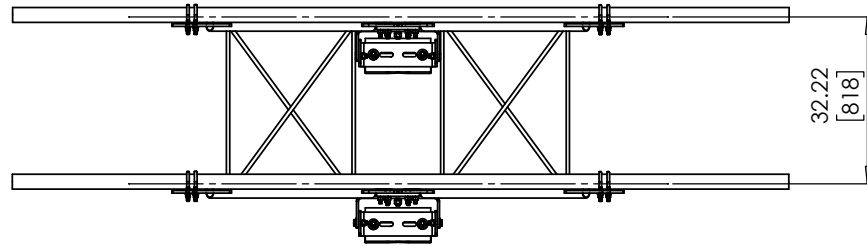
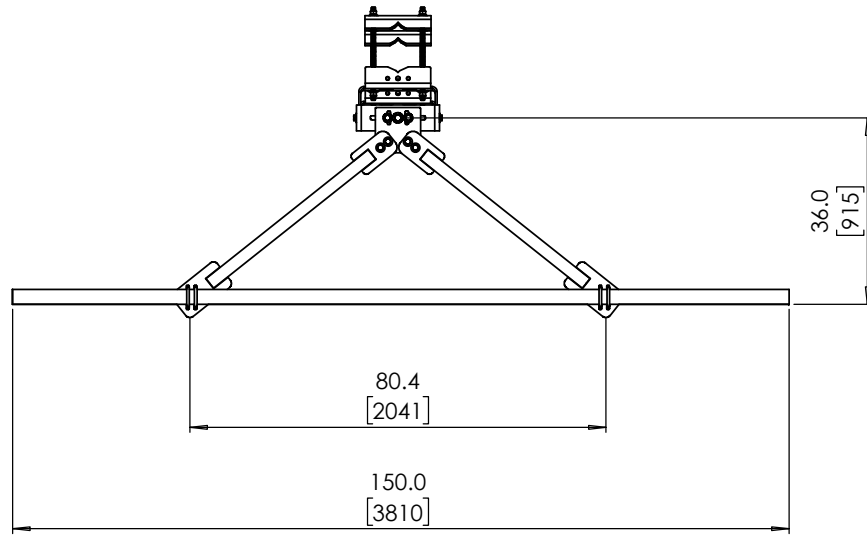
A

D

C

B

A



UNLESS OTHERWISE SPECIFIED:
DIMENSIONS ARE IN INCHES
TOLERANCES:
FRACTIONAL: $\pm 1/32$
ANGULAR: $\pm 2^\circ$
ONE PLACE DECIMAL: $\pm .06$
TWO PLACE DECIMAL: $\pm .03$
THREE PLACE DECIMAL: $\pm .010$

INTERPRET GEOMETRIC
TOLERANCING PER:

MATERIAL

FINISH

DO NOT SCALE DRAWING

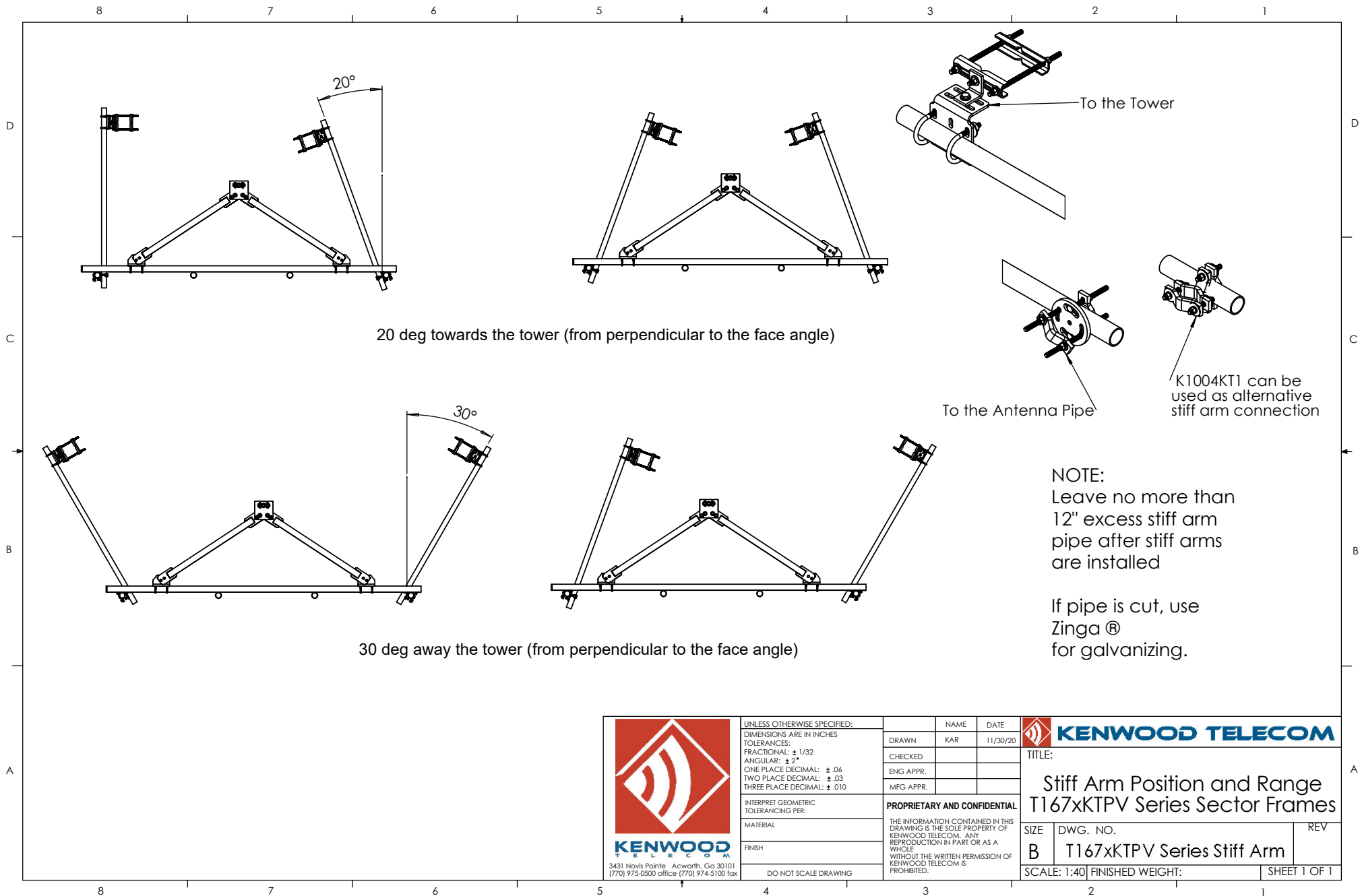
NAME	DATE
DRAWN KAR	9/16/21
CHECKED	
ENG APPR.	
MFG APPR.	

PROPRIETARY AND CONFIDENTIAL

THE INFORMATION CONTAINED IN THIS DRAWING IS THE SOLE PROPERTY OF KENWOOD TELECOM. ANY REPRODUCTION IN PART OR AS A WHOLE WITHOUT THE WRITTEN PERMISSION OF KENWOOD TELECOM IS PROHIBITED.

		KENWOOD TELECOM	
		TITLE: Sector Frame - 3' Standoff, 12'6" Face, All Pipe Version	
SIZE B	DWG. NO. T167xKTV12	REV A	
SCALE: 1:16 FINISHED WEIGHT:		SHEET 2 OF 2	

8 7 6 5 4 3 2 1



UNLESS OTHERWISE SPECIFIED:
DIMENSIONS ARE IN INCHES
TOLERANCES:
FRACTIONAL: ± 1/32
ANGULAR: ± 2°
ONE PLACE DECIMAL: ± .06
TWO PLACE DECIMAL: ± .03
THREE PLACE DECIMAL: ± .010

INTERPRET GEOMETRIC TOLERANCING PER:

MATERIAL

FINISH

DO NOT SCALE DRAWING

NAME	DATE
DRAWN KAR	11/30/20
CHECKED	
ENG APPR.	
MFG APPR.	

PROPRIETARY AND CONFIDENTIAL

THE INFORMATION CONTAINED IN THIS DRAWING IS THE SOLE PROPERTY OF KENWOOD TELECOM. ANY REPRODUCTION IN PART OR AS A WHOLE WITHOUT THE WRITTEN PERMISSION OF KENWOOD TELECOM IS PROHIBITED.

KENWOOD TELECOM

TITLE:
**Stiff Arm Position and Range
T167xKTPV Series Sector Frames**

SIZE B	DWG. NO. T167xKTPV Series Stiff Arm	REV
SCALE: 1:40 FINISHED WEIGHT:		SHEET 1 OF 1

8 7 6 5 4 3 2 1

Connection Point B:
Pivot Plate(slots) to Taper Adjustment
Use Item #3, **5/8" x 2-1/2" Bolt Kits**

Connection Point C:
Pivot Plate to Standoff Weldments
Use Item #2, **5/8" x 2-1/2" Bolt Kits**

Stiff Arm Assembly
T1307KT12
T1307KT1512

Leg Clamp Kits
K1672KT-T

Connection Point A:
Pivot Plate(Hole) to Taper Adjustment
Use Item #4, **3/4" x 2-1/2" Bolt Kits**

Leg Clamp Kits
K1672KT-B

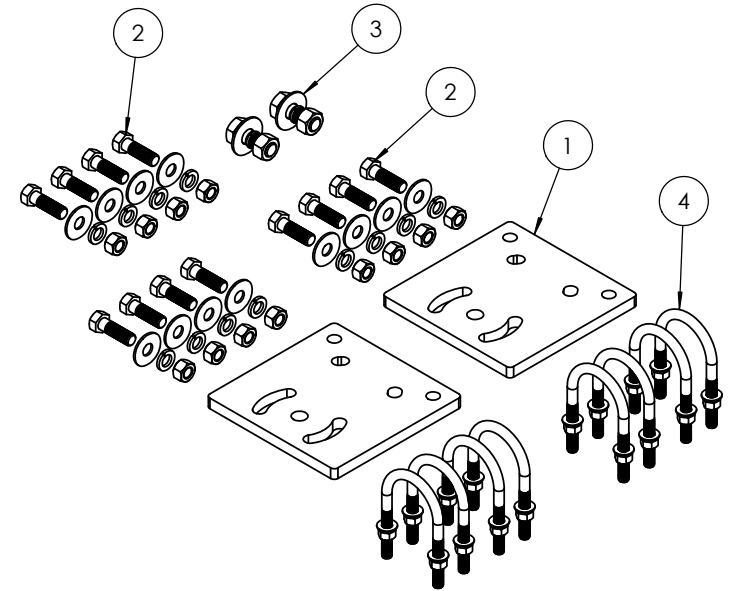
2-7/8" OD Face Pipes

Crossover Kits
T1709KT11A

2-7/8" OD Antenna Pipes
Sold Separately

Connection Point F:
Face Pipe to Frame
Use Item #4, **1/2" U-bolts** for
2-7/8"OD Pipe

ITEM NO.	PART NUMBER	DESCRIPTION	QTY.
1	K1120KT9	Pivot Plate (Heavy 10 & WLL)	2
2	K1029KT212	A325 5/8"x2-1/2" kit (4 ea)	3
3	K1032KT212-2	3/4"X2-1/2" fastener kit A325 HDG (2)	1
4	K7940KT14-2	U-bolt kit, 2-7/8" OD pipe (2-Ubolt)	4



REVISIONS			
REV.	DESCRIPTION	DATE	APPROVED
A	Added Ubolts for revised standoff	9/13/2022	KAR



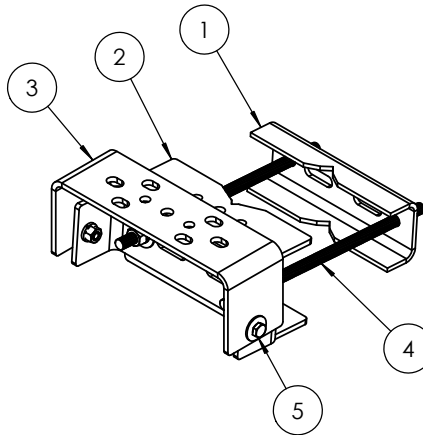
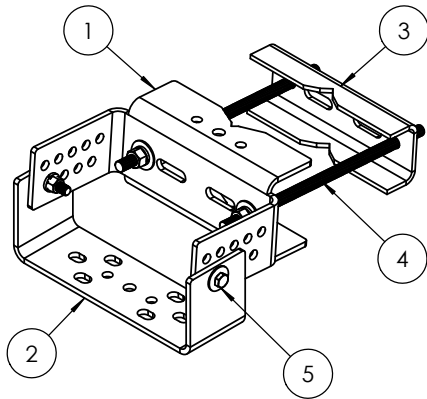
UNLESS OTHERWISE SPECIFIED: DIMENSIONS ARE IN INCHES TOLERANCES: FRACTIONAL: ± 1/32 ANGULAR: ± 2° ONE PLACE DECIMAL: ± .06 TWO PLACE DECIMAL: ± .03 THREE PLACE DECIMAL: ± .010	NAME KAR	DATE 9/16/21
INTERPRET GEOMETRIC TOLERANCING PER:	CHECKED	
MATERIAL	ENG APPR.	
FINISH	MFG APPR.	
DO NOT SCALE DRAWING	PROPRIETARY AND CONFIDENTIAL THE INFORMATION CONTAINED IN THIS DRAWING IS THE SOLE PROPERTY OF KENWOOD TELECOM. ANY REPRODUCTION IN PART OR AS A WHOLE WITHOUT THE WRITTEN PERMISSION OF KENWOOD TELECOM IS PROHIBITED.	

TITLE: Hardware Kit for Sector Frame, All Pipe Sector Frame		
SIZE	DWG. NO.	REV
SCALE: 1:6	K1672KTV-HW	A
FINISHED WEIGHT:	SHEET 1 OF 1	

8 7 6 5 4 3 2 1

K1672KT-T

ITEM NO.	PART NUMBER	DESCRIPTION	K1672KT-T/QTY.
1	K1672KT-01F	Leg Channel Top Clamp, Formed	1
2	K1672KT-02	Taper Adjustment Connector	1
3	K1672KT-04	Leg Channel, Inner (Heavys)	1
4	K2320KT18iA-2	Threaded rod kit 3/4" x 18" (2) HDG B7"	1
5	K1029KT214-2	Bolt kit (2) - 5/8" x 2-1/4" A325 HDG	1



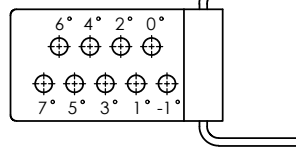
K1672KT-B

ITEM NO.	PART NUMBER	DESCRIPTION	K1672KT-B/QTY.
1	K1672KT-04	Leg Channel, Inner (Heavys)	1
2	K1672KT-03F	Leg Channel Bottom Clamp, Formed	1
3	K1672KT-02	Taper Adjustment Connector	1
4	K2320KT18iA-2	Threaded rod kit 3/4" x 18" (2) HDG B7"	1
5	K1029KT214-2	Bolt kit (2) - 5/8" x 2-1/4" A325 HDG	1

NOTES:

Fits Leg: Round 1-1/2" OD to 8-1/2" OD
 60 Degree Angle 2" to 8-1/2"
 90 Degree Angle 2" to 6"

All fasteners should be tightened to "snug tight" per AISC 6.5.2.



Taper Adjustment



UNLESS OTHERWISE SPECIFIED:
 DIMENSIONS ARE IN INCHES
 TOLERANCES:
 FRACTIONAL: ± 1/32
 ANGULAR: ± 2°
 ONE PLACE DECIMAL: ± .06
 TWO PLACE DECIMAL: ± .03
 THREE PLACE DECIMAL: ± .010
 INTERPRET GEOMETRIC TOLERANCING PER:
 MATERIAL:
 FINISH:
 DO NOT SCALE DRAWING

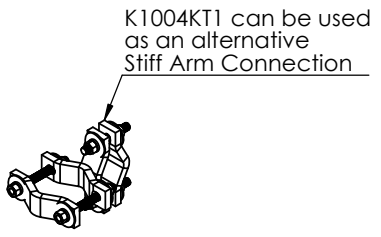
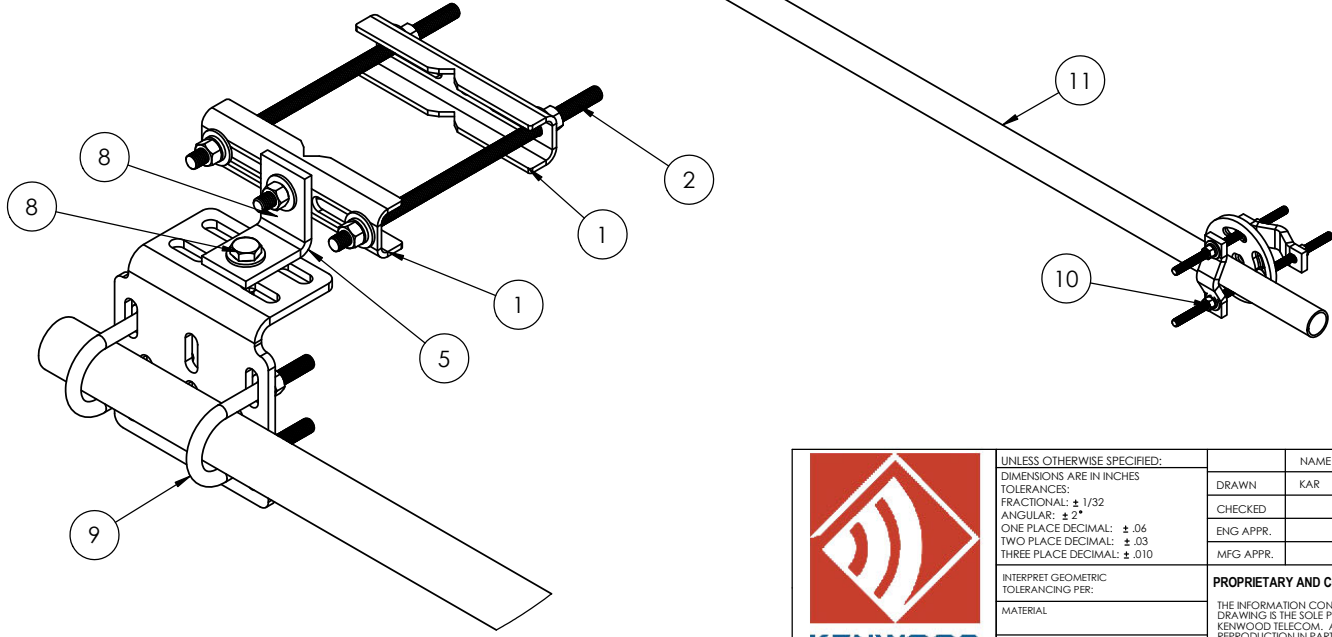
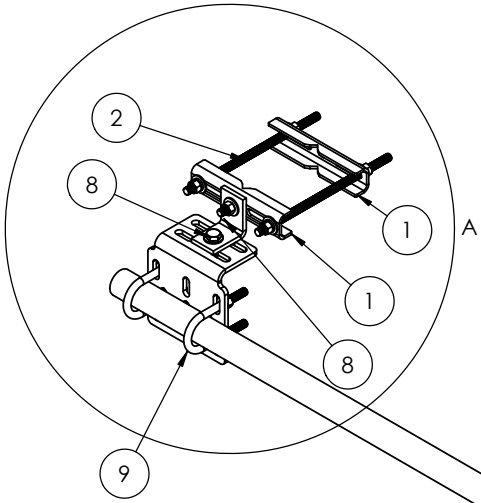
NAME: KAR DATE: 1/10/20
 DRAWN: KAR
 CHECKED:
 ENG APPR.:
 MFG APPR.:
 PROPRIETARY AND CONFIDENTIAL
 THE INFORMATION CONTAINED IN THIS DRAWING IS THE SOLE PROPERTY OF KENWOOD TELECOM. ANY REPRODUCTION IN PART OR AS A WHOLE WITHOUT THE WRITTEN PERMISSION OF KENWOOD TELECOM IS PROHIBITED.

KENWOOD TELECOM

TITLE:
 Sector Frame Leg Clamp Assembly for T1671KT Sector Frames Taper Leg

SIZE: B	DWG. NO.: K1672KT-T/K1672KT-B	REV: E
SCALE: 1:8		FINISHED WEIGHT:
		SHEET 1 OF 1

ITEM NO.	PART NUMBER	DESCRIPTION	QTY.
1	K1325KT-01	Stiff Arm Channel bracket	2
2	K2120KT12i	Threaded rod stud, 1/2"x 12" HDG	2
3	H3002KT12G	Lock washer, 1/2" HDG	6
4	H2002KT12GA3	Nut, hex heavy 1/2" HDG A325	6
5	K9970KT-95	Corner, Clip; 3 x 3 x 3/16; 2" long	1
6	H3012KT12GSAE	Flat washer, hardened, 1/2", SAE, HDG	6
7	K1708KT35	Crossover angle mount, 2-3/8" thru 2-7/8"	1
8	H1026KT134GA3	Bolt, 1/2"x1-3/4" HH(A325) HDG	2
9	K7940KT9-1	U-bolt kit 1-7/8 OD pipe 1 u-bolt	2
10	K1004KT6	Adjust Angle Xover Kit, 1-1/2"-3-1/2" OD	1
11	PO100KT12.5	Pipe 1-7/8 OD x 12.5 L HDG A500/B Sch 40	1



K1004KT1 can be used as an alternative Stiff Arm Connection



KENWOOD TELECOM
3431 Novis Pointe Acworth, Ga 30101
(770) 975-0500 office (770) 974-5100 fax

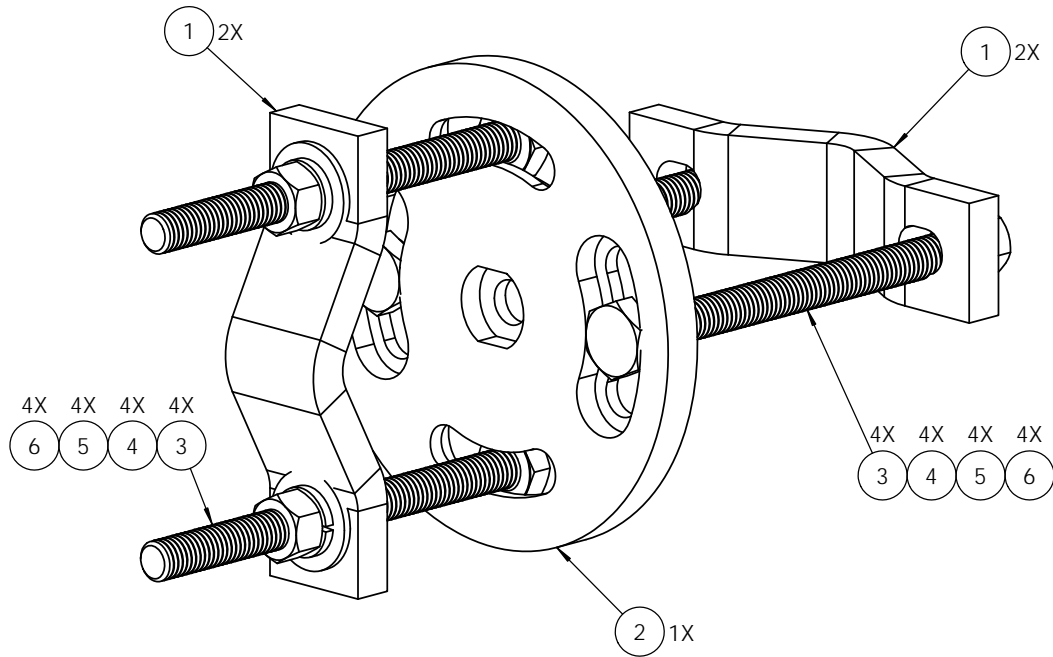
UNLESS OTHERWISE SPECIFIED:
DIMENSIONS ARE IN INCHES
TOLERANCES:
FRACTIONAL: ± 1/32
ANGULAR: ± 2°
ONE PLACE DECIMAL: ± .06
TWO PLACE DECIMAL: ± .03
THREE PLACE DECIMAL: ± .010
INTERPRET GEOMETRIC TOLERANCING PER:
MATERIAL:
FINISH:
DO NOT SCALE DRAWING

NAME	DATE
DRAWN KAR	9/21/21
CHECKED	
ENG APPR.	
MFG APPR.	

PROPRIETARY AND CONFIDENTIAL
THE INFORMATION CONTAINED IN THIS DRAWING IS THE SOLE PROPERTY OF KENWOOD TELECOM. ANY REPRODUCTION IN PART OR AS A WHOLE WITHOUT THE WRITTEN PERMISSION OF KENWOOD TELECOM IS PROHIBITED.

TITLE: Universal Stiff arm hardware kit, W/ 1-7/8" OD pipe		
SIZE B	DWG. NO. T1307KT1512	REV -
SCALE: 1:8 FINISHED WEIGHT: 51.64		SHEET 1 OF 1

ITEM NO.	PART NUMBER	DESCRIPTION	QTY.
1	K1000KT6	Clamp Half. 1-1/2" x 5-7/8" x 1/2"	2
2	K1709KTR	Crossover Plate, Round Multi-angle	1
3	H1026KT6GB7F	Bolt, 1/2"x6", hex head, cap, A193 B7	4
4	H3012KT12GSAE	Flat washer, hardened, 1/2", SAE, HDG	4
5	H3002KT12G	Lock washer, 1/2" HDG	4
6	H2002KT12GA3	Nut, hex heavy 1/2" HDG A325	4



3431 Novis Pointe Acworth, Ga 30101
(770) 975-0500 office, (770) 974-5100 fax

UNLESS OTHERWISE SPECIFIED:
DIMENSIONS ARE IN INCHES
TOLERANCES:
FRACTIONAL: ± 1/32
ANGULAR: ± 2°
ONE PLACE DECIMAL: ± .06
TWO PLACE DECIMAL: ± .03
THREE PLACE DECIMAL: ± .010
INTERPRET GEOMETRIC TOLERANCING PER:
MATERIAL:
FINISH:
DO NOT SCALE DRAWING

NAME	DATE
DRAWN KAR	1/25/17
CHECKED	
ENG APPR.	
MFG APPR.	

PROPRIETARY AND CONFIDENTIAL
THE INFORMATION CONTAINED IN THIS DRAWING IS THE SOLE PROPERTY OF KENWOOD TELECOM. ANY REPRODUCTION IN PART OR AS A WHOLE WITHOUT THE WRITTEN PERMISSION OF KENWOOD TELECOM IS PROHIBITED.

		
TITLE: Adjustable Angle Crossover Plate Kit 1-1/2"OD - 3-1/2" OD		
SIZE	DWG. NO.	REV
	K1004KT6	B
SCALE: 1:2		SHEET 1 OF 1

FINISHED WEIGHT: 5.84

8 7 6 5 4 3 2 1

D

C

B

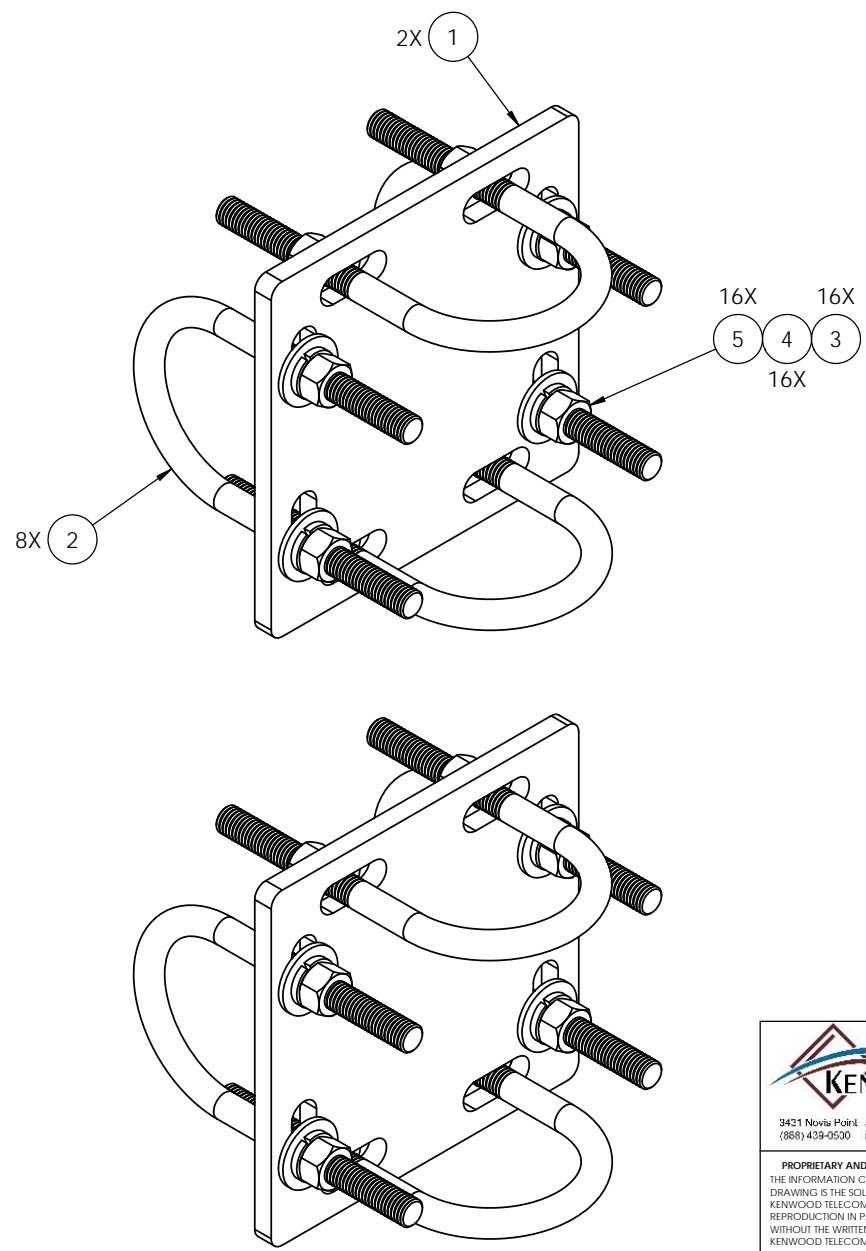
A

D


C

B

A



ITEM NO.	PART NUMBER	DESCRIPTION	QTY.
1	K1709KT	Crossover plate, 1-7/8" - 3-1/2"	2
2	H7940KT14	U-Bolt, 1/2-13; 5-3/4" Lng; 2-15/16" IL; 3" Thd; HDG	8
3	H3012KT12GSAE	Flat washer, 1/2", SAE (A325), HDG	16
4	H3002KT12G	Lock washer, 1/2" HDG	16
5	H2002KT12GA3	Nut, 1/2" HH, HDG (A325)	16

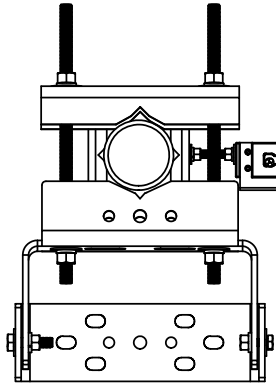
 KENWOOD TELECOM 3421 Novia Point, Aowater, GA 30101 (868) 438-0500 (770) 974-5100 fax	UNLESS OTHERWISE SPECIFIED:		NAME		DATE		KENWOOD TELECOM		
	DIMENSIONS ARE IN INCHES		DRAWN	PO	12/3/14				TITLE: Crossover Plate Kit $\phi 2-7/8" - \phi 2-7/8"$
	TOLERANCES:		CHECKED						
	FRACTIONAL: $\pm 1/32$		ENG APPR.						
ANGULAR: $\pm 2^\circ$		MFG APPR.							
ONE PLACE DECIMAL: $\pm .06$		Q.A.					SIZE		
TWO PLACE DECIMAL: $\pm .03$		COMMENTS:				DWG. NO.			
THREE PLACE DECIMAL: $\pm .010$						T1709KT11A			
INTERPRET GEOMETRIC TOLERANCING PER:						REV			
MATERIAL:						SCALE: 1:2			
FINISH:						FINISHED WEIGHT: 15.99			
DO NOT SCALE DRAWING						SHEET 1 OF 1			

8 7 6 5 4 3 2 1

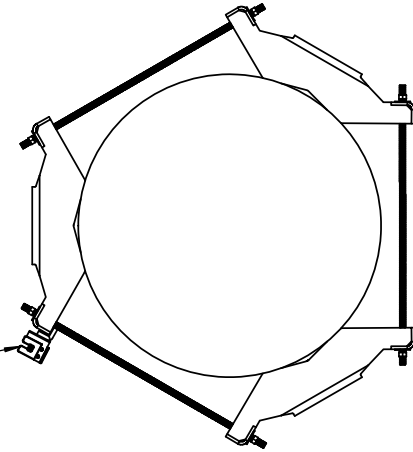
8 7 6 5 4 3 2 1

D

D

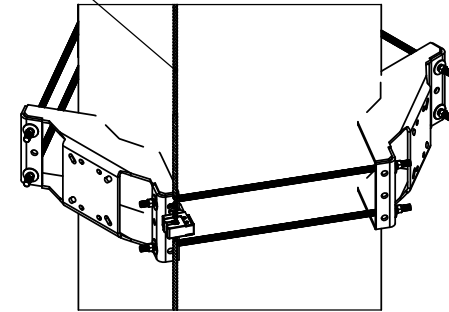
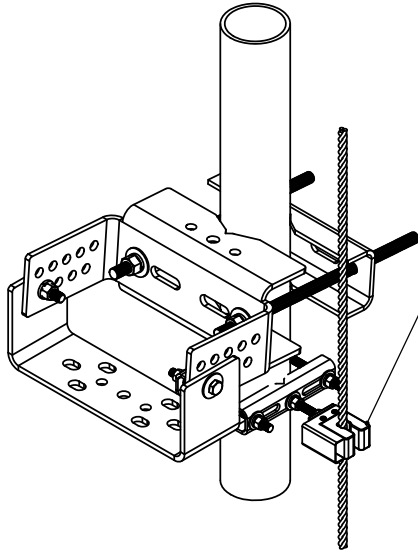


Position mount or adjust safety climb cable so not to hinder or damage or trap or obstruct the safety climb. Safety cable routing bracket may be purchased separately. Supplied by others.



C

C





B

B

A

A

 <p>KENWOOD TELECOM</p> <p>3431 Novis Pointe Acworth, Ga 30101 (770) 975-0500 office (770) 974-5100 fax</p>	<p>UNLESS OTHERWISE SPECIFIED: DIMENSIONS ARE IN INCHES TOLERANCES: FRACTIONAL: ± 1/32 ANGULAR: ± 2° ONE PLACE DECIMAL: ± .06 TWO PLACE DECIMAL: ± .03 THREE PLACE DECIMAL: ± .010</p>	<table border="1"> <tr> <td>NAME</td> <td>DATE</td> </tr> <tr> <td>DRAWN KAR</td> <td>2/10/21</td> </tr> <tr> <td>CHECKED</td> <td></td> </tr> <tr> <td>ENG APPR.</td> <td></td> </tr> <tr> <td>MFG APPR.</td> <td></td> </tr> </table>	NAME	DATE	DRAWN KAR	2/10/21	CHECKED		ENG APPR.		MFG APPR.		 <p>KENWOOD TELECOM</p>
	NAME	DATE											
DRAWN KAR	2/10/21												
CHECKED													
ENG APPR.													
MFG APPR.													
<p>INTERPRET GEOMETRIC TOLERANCING PER:</p> <p>MATERIAL</p> <p>FINISH</p> <p>DO NOT SCALE DRAWING</p>	<p>PROPRIETARY AND CONFIDENTIAL</p> <p>THE INFORMATION CONTAINED IN THIS DRAWING IS THE SOLE PROPERTY OF KENWOOD TELECOM. ANY REPRODUCTION IN PART OR AS A WHOLE WITHOUT THE WRITTEN PERMISSION OF KENWOOD TELECOM IS PROHIBITED.</p>	<p>TITLE:</p> <p>Safety Climb Information</p>	<table border="1"> <tr> <td>SIZE</td> <td>DWG. NO.</td> <td>REV</td> </tr> <tr> <td></td> <td></td> <td>-</td> </tr> </table>	SIZE	DWG. NO.	REV			-				
SIZE	DWG. NO.	REV											
		-											
		SCALE: 1:8	FINISHED WEIGHT:	SHEET 1 OF 1									

8 7 6 5 4 3 2 1